

# MODULE

details of forms

Lato : 100cm  
Spessore : 10 cm

MODULE B5

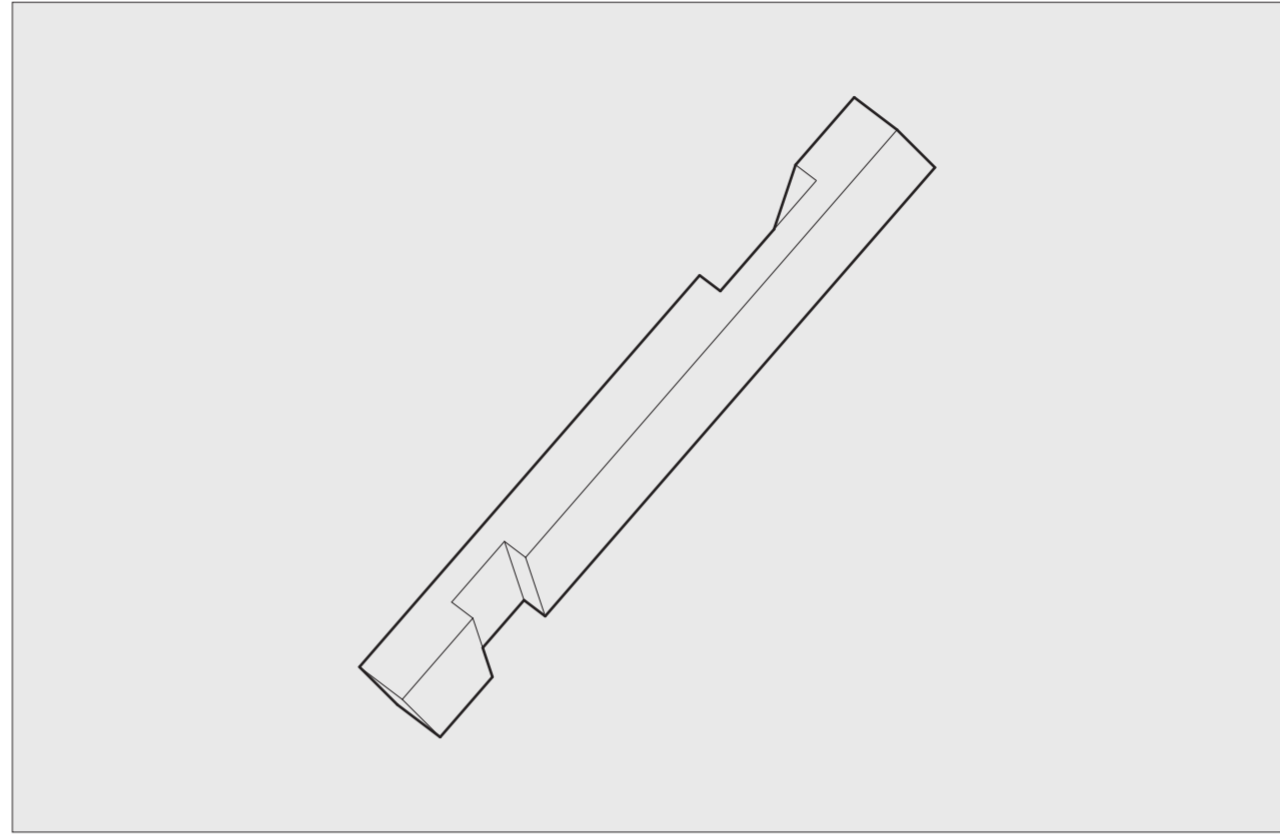
Right View



Left View



Top View



Lato : 100cm  
Spessore : 10 cm

MODULE B6

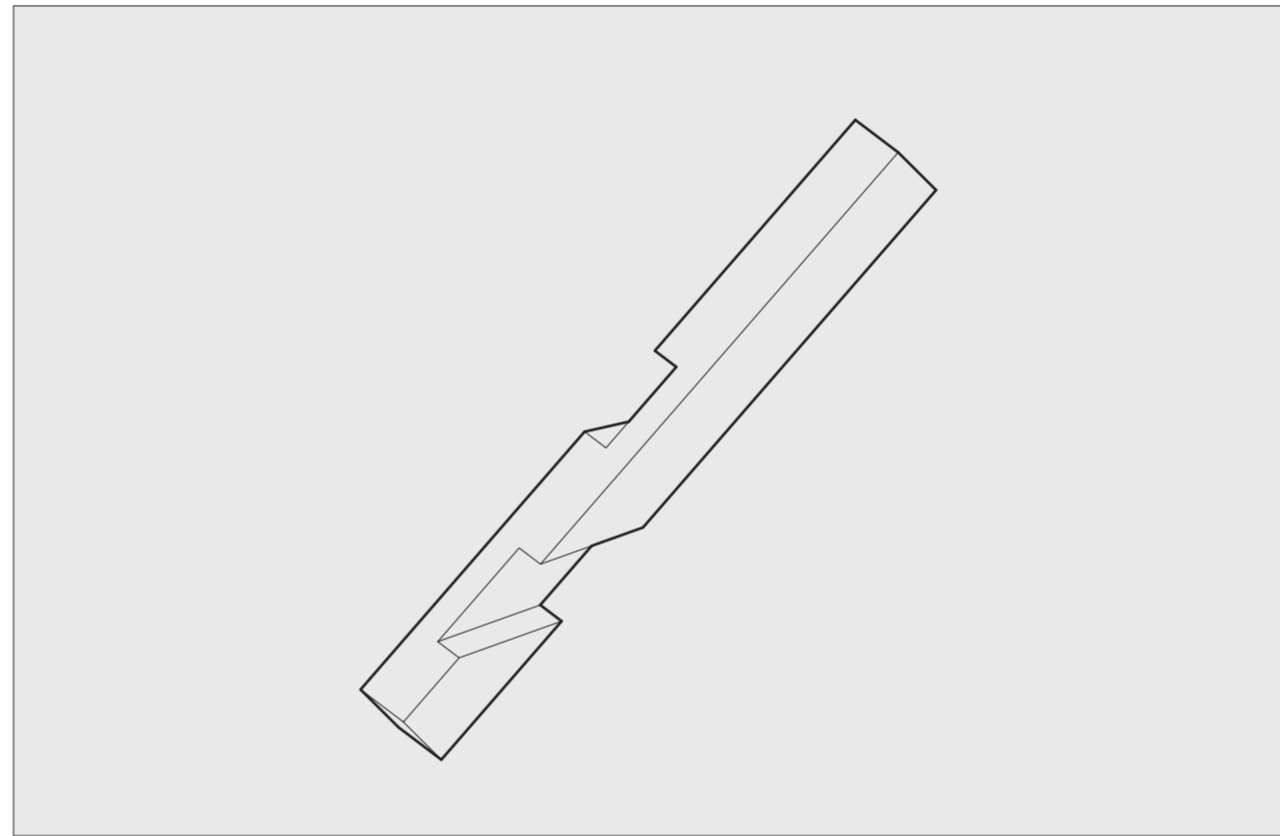
Right View



Left View



Top View



Lato : 100cm  
Spessore : 10 cm

MODULE B7

Right View



Left View



Top View

